



SA STAMBOEK
STUD BOOK

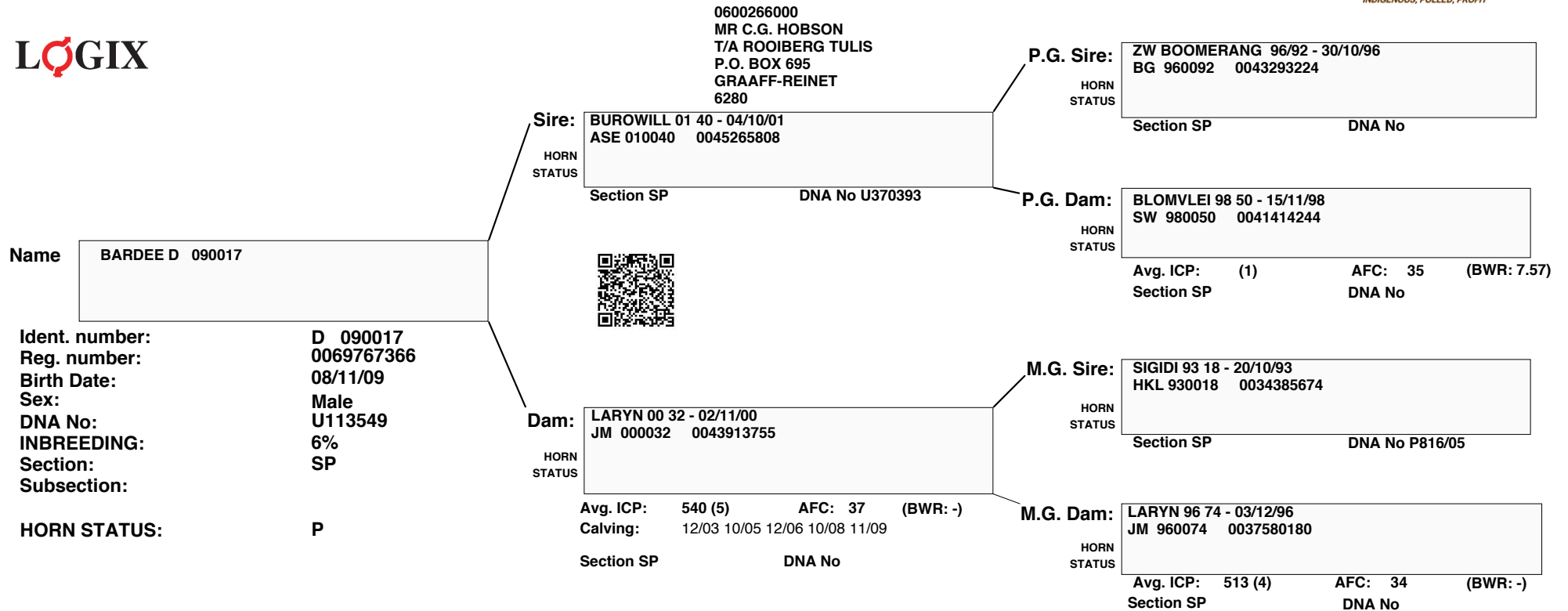
Three generation pedigree

compiled by the S.A. Stud Book and Animal Improvement Association

TULI



LOGIX



05/2020	CALVING EASE ★★★★☆		MILK ★★★☆☆	CALF GRWTH ★★★★☆	MAINTENANCE ★★★☆☆		GROWTH TEST					FERTILITY ★★★☆☆			COW VALUE ★★★★☆	GROWTH VALUE ★★☆☆☆	PRODUCTION VALUE ★★★★☆
	Selection Value		98 ⁷⁶	109 ⁸³	104 ⁰		96 ⁵²	SC	AFC	ICP	120 ⁶²	87 ⁵⁶	115 ⁶¹				
EBV Index	Birth wght	Birth Mat.	Milk	Wean wght	Post wean	Mature wght	ADG	Kleiber	FCR	Length	Height	SC	AFC	ICP			
EBV	-0.55 ⁸⁸	0.95 ⁷⁵	98 ⁷⁶	109 ⁸³	100 ⁷²	96 ⁴⁰	89 ⁵²	74 ⁵²	-	97 ⁵⁷	86 ⁵⁹	101 ⁵⁸	105 ⁶⁵	93 ⁴⁰	120 ⁶²	87 ⁵⁶	115 ⁶¹
Measurements	36			197 ⁽¹⁰⁰⁾	260 ⁽⁹⁵⁾	383 ⁽⁹⁷⁾	-	-5	-	-	-	-	-	-			